



SE-TMH-SET

Sealing Extruder

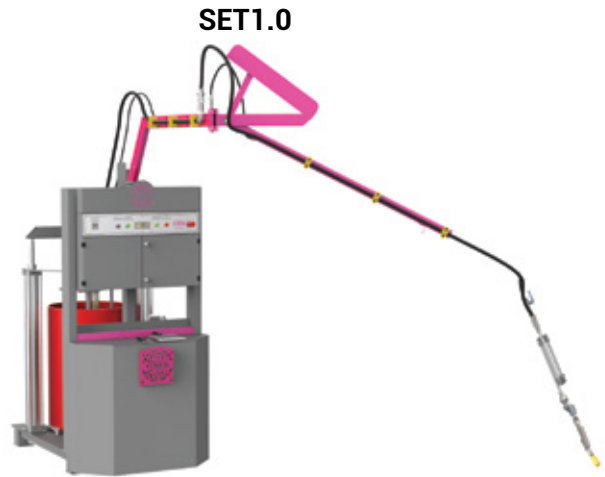
(Silicone – Polysulphide- Polyurethane)



✦ Improves Quality, Productivity & Process Time



SE-2 / TMH-2

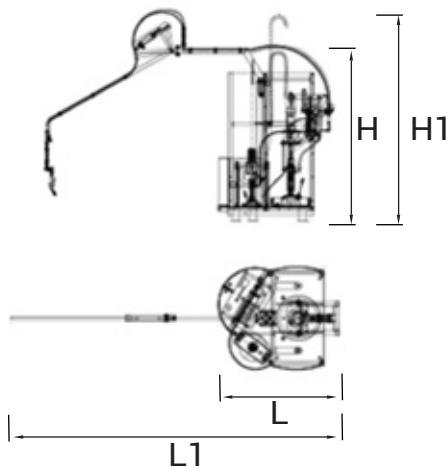


SET1.0

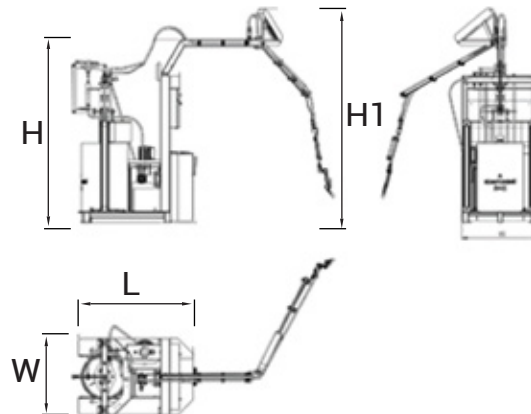
- ★ Big Drum: 200 kg
- ★ Small Drum: 20 kg
- ★ Mixing Ratio: 1:5 – 1:15
- ★ Material Flow Rate: 500 – 4000 g/dk

Models & Sizes

SE-2 / TMH-2



SET1.0





		W	L	L1	H1	H1
SE-2 TMH-2	Silicone	1330	1300	4200	2500	3000
	Polysulphide					
SET1.0	Polysulphide	975	1500	4200	2350	2750
	Silicone					
	Polyurethane					

Key Features

Extruder is used for final sealing of the gap and edges between spacer and glass in insulated or structural glass production.

 **Compact Design**

 **Adjustable Mixing Rate**

 **Adjustable Hydraulic Working Pressure**

 **Sample Valve**

Possibility of sealant sampling in order to make adjustments to ratio for both sealant compounds at the same time if needed.

+ The feature is available in TMH and SE models. For SET1.0 model recommended sampling is directly from the gun.

 **Application Gun and Freezer Working Height Control**

Instead of going to the machine's body first that one may insert sealant gun into the freezer the possibility to insert the gun into the freezer directly where the job was ended.

+ The feature is available in SET1.0 model only.



 **Easy Drum Handling**

Drum handling system with holes for pallet truck in machine's body provides easy and fast way to change and center new drum.

+ The feature is available in SET1.0 model only.

 **High Pressure Safety System**





High pressure protection system as a safety instrument to prevent accidental pressure rise will shut off the source of the high pressure before the design pressure of the system is exceeded.




 **Freezing Warning System**

Sound alarm system alerts the operator in case ready to use material was unintentionally forgotten in the mixer part of the machine.

 **Low-level Sensor System**

Low-level material sound warning system allows operators to accurately monitor material levels during the process.

-  Hydraulic dosing pump
-  By-Pass System
-  Pneumatic B component pump
-  Hydraulic A component pump

-  High-pressure corrosive environment resistant hoses
-  B component filter
-  A and B component air blow system



SE-TMH-SET

Sealing Extruder

(Silicone – Polysulphide- Polyurethane)



Optional Features

Opt. TAA - Telescopic Arm

Telescopic arm system was designed for more convenient and fast sealing large-sized insulated glass units.



Opt. AFP - AFP Automatic Anti-Freezing

Automatic system prevents curing of the material in stand-by mode if alarms were overlooked by the operator.

+ This feature is available in SET1.0 models.



Opt. RAF - Remote Access

Remote access feature provides advanced online assistance and troubleshooting



Opt. TF200 - Freezer

Freezer is used for two component extruders (polysulphide/polyurethane) to prevent the material in the mixing group from curing at stand by periods more than 10 min.



- + Warming +35 C <--> Cooling -35 C
- + Size: 690x690x1090mm
- + Heat Insulation
- + Compact Design
- + Alarm System
- + Digital Heat Indicators
- + Easy Adjustable Temperature System

- + High pressurized solvent system,
- + Closed cycle system for high quality material cleaning ,
- + Work with air system in case of power cut,
- + Drum size: 80lt
- + Hose length 2,5 m



Opt. SC200 - Silicone Cleaning Pump

Used for mixer's inside cleaning using high pressurized solvent. After 5 minutes closed cycle cleaning the system gets free of silicon particles prolonging machines operational lifespan without any changes of working performance. After cleaning the system, solvent material is cleaned using pressurized air.

Opt. HHF - Hose Heating System