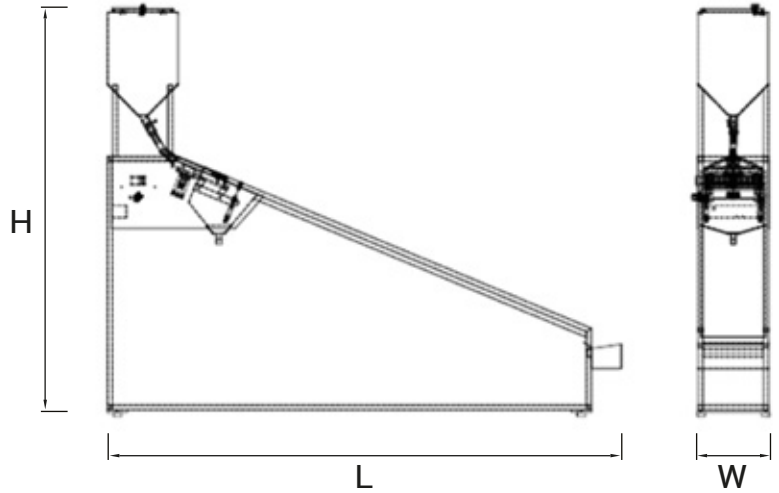


★ **Durability**



★ Tank Capacity: 25kg



	W	L	H
SM26	350	2550	2000

Desiccant filling machine is used for filling silica material, which is an anti-moisture material, in aluminum spacer used in the production of insulated glass.

✔ **Electrical Heating**

✔ **Multiple Spacer Filling**

✔ **Material Tank**

✔ **Complete Filling with Vibration**

Pneumatic system ensures to fill the spacers with desiccant completely and quickly.

✔ **Excess Material Collecting Unit**

Material collecting tank prevents you to waste overflowed desiccants. It collects and re-uses it for filling.

✔ **Material Flow Observation**

You can observe the desiccant filling to the spacers during filling and keep the filling process under control.